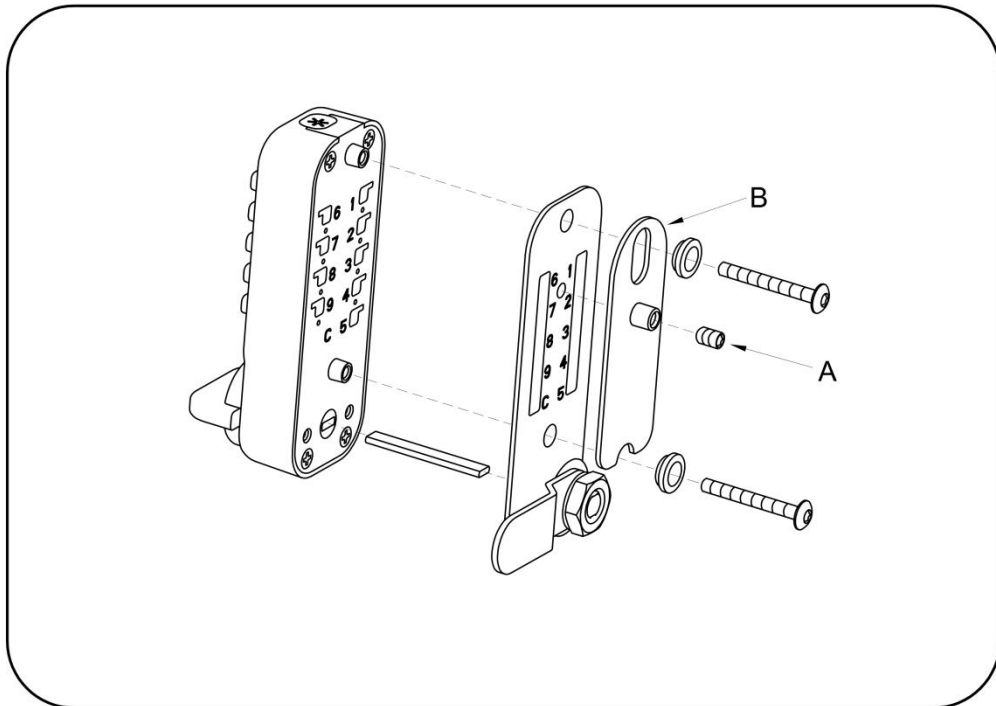


## Code change procedures

1. With the door opened, enter existing code.
2. Press the \* button down with a suitable tool - fully press and hold until step 5
3. Press `C` button to clear the existing code
4. Enter the new code
5. Release the \* button
6. Press `C` to set the new code
7. The new code is now set and ready for use
8. Check that the code is working 5 times and that it is rotating the cam before closing the door.

**Please note: If a mistake is made whilst entering a new code (with the \* button pressed) the `C` button can be pressed which will cancel any buttons that have been pressed and you can start again.**



## Recovering the existing code

1. With the door open, loosen the grub screw (A) securing the code cover plate (B).
2. Slide the code cover plate upwards.
3. Rotate the code cover plate to read the code in RED.

# **BORG LOCKS (UK) LTD**

9, Upminster Trading Park, Warley Street, Upminster, Essex, RM14 3PJ

T: 44 (0)1708 225700 F: 44 (0)1708 226338

[sales@borglocks.com](mailto:sales@borglocks.com) [www.borglocks.com](http://www.borglocks.com)